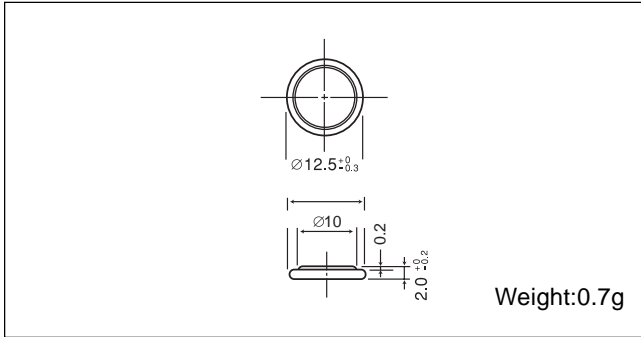


# Poly-carbonmonofluoride Lithium Coin Batteries: Individual Specifications

## BR1220

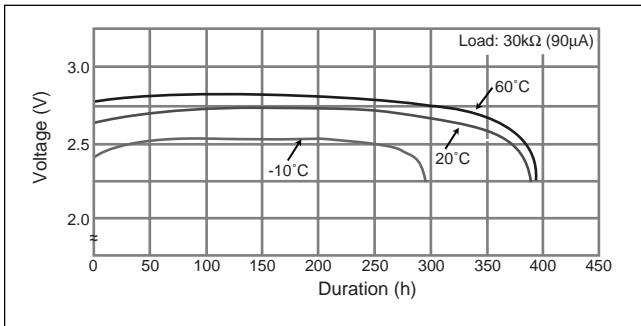
### ■ Dimensions(mm)



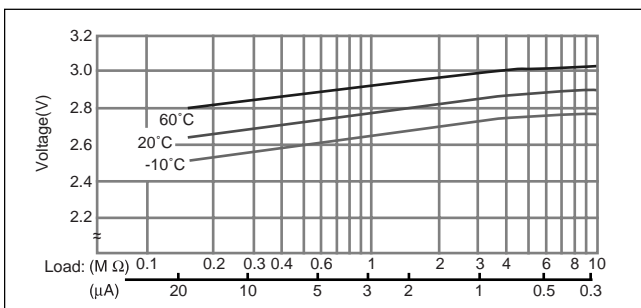
### ■ Specification

Nominal voltage (V)	3
Nominal capacity (mAh)	35
Continuous standard load (mA)	0.03
Operating temperature (C)	-30 ~ +80

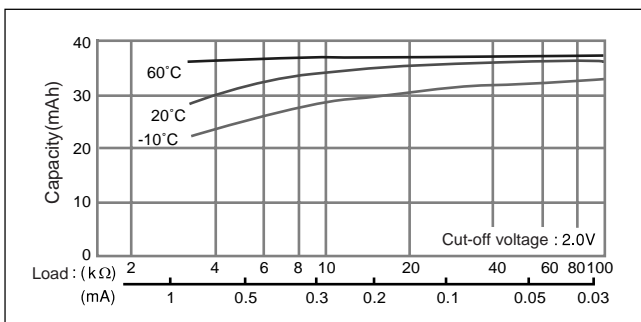
### ■ Temperature Characteristics



### ■ Operating voltage vs. load resistance (voltage at 50% discharge depth)

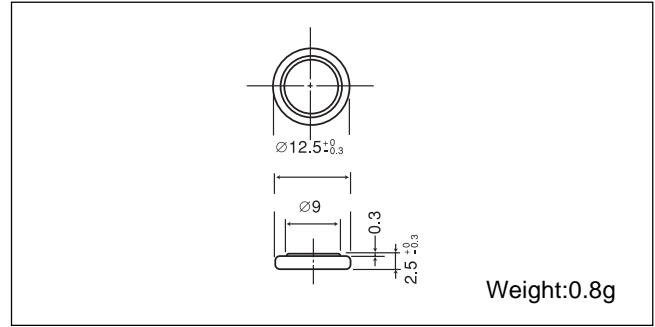


### ■ Capacity vs. load resistance



## BR1225

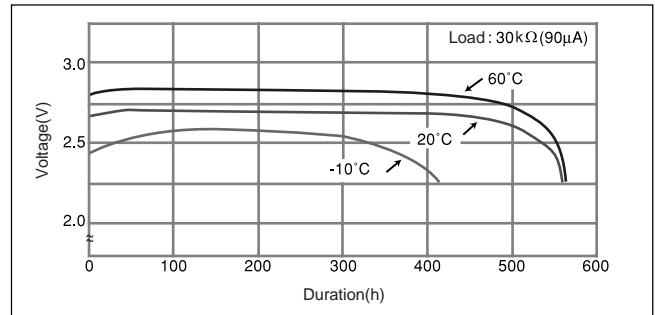
### ■ Dimensions(mm)



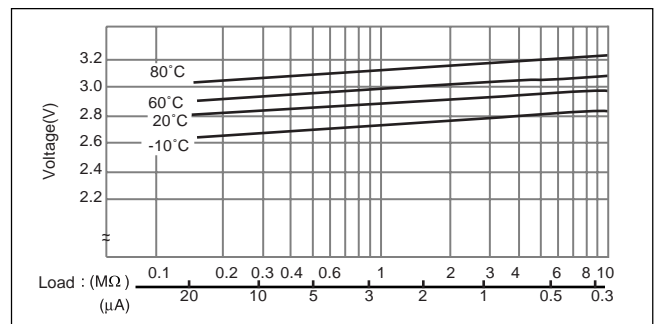
### ■ Specification

Nominal voltage (V)	3
Nominal capacity (mAh)	48
Continuous standard load (mA)	0.03
Operating temperature (C)	-30 ~ +80

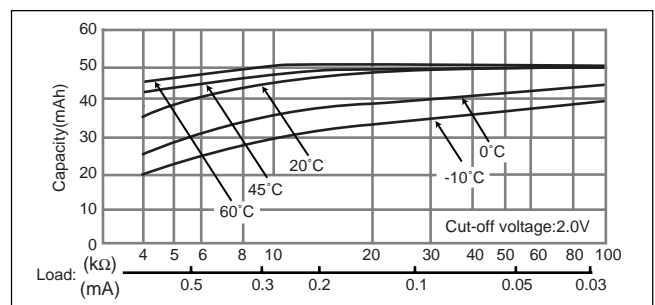
### ■ Temperature Characteristics



### ■ Operating voltage vs. load resistance (voltage at 50% discharge depth)



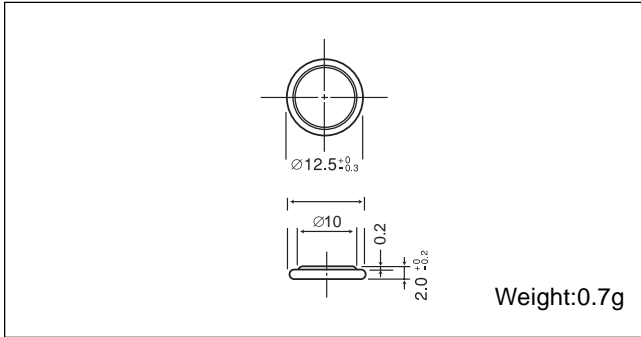
### ■ Capacity vs. load resistance



# Poly-carbonmonofluoride Lithium Coin Batteries: Individual Specifications

## BR1220

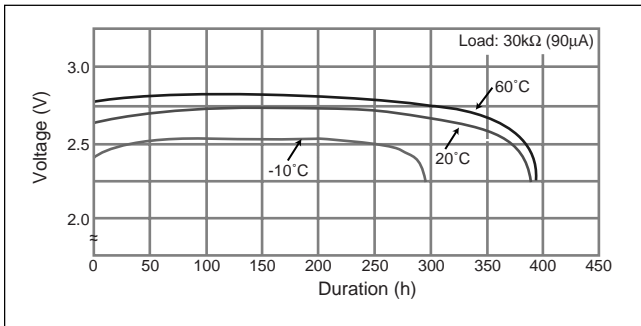
### ■ Dimensions(mm)



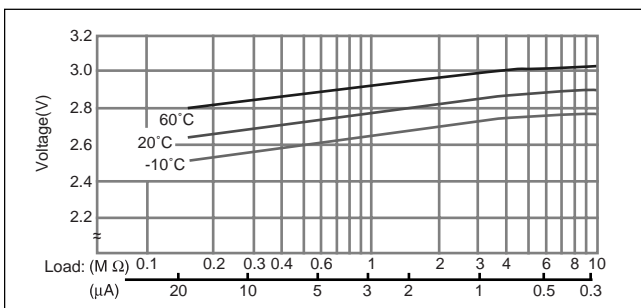
### ■ Specification

Nominal voltage (V)	3
Nominal capacity (mAh)	35
Continuous standard load (mA)	0.03
Operating temperature (C)	-30 ~ +80

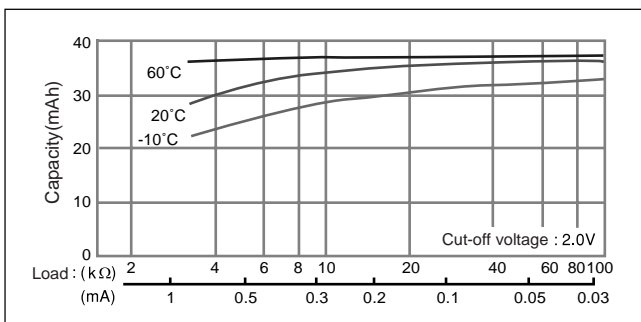
### ■ Temperature Characteristics



### ■ Operating voltage vs. load resistance (voltage at 50% discharge depth)

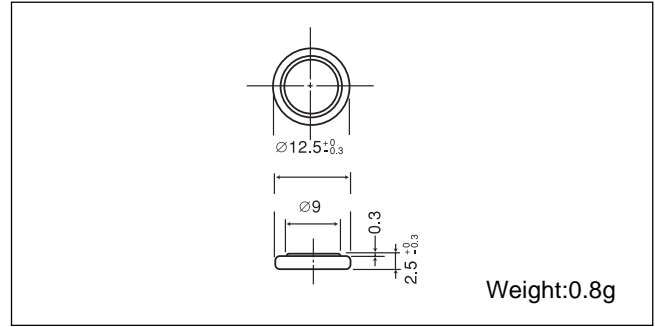


### ■ Capacity vs. load resistance



## BR1225

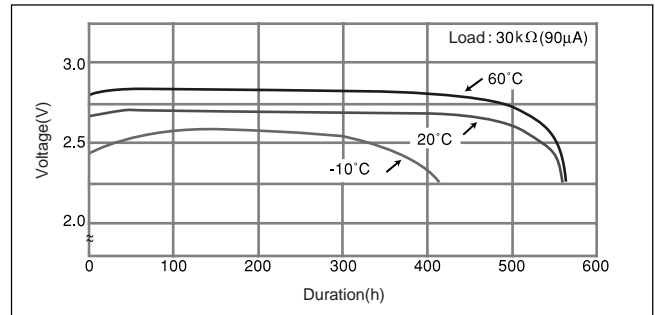
### ■ Dimensions(mm)



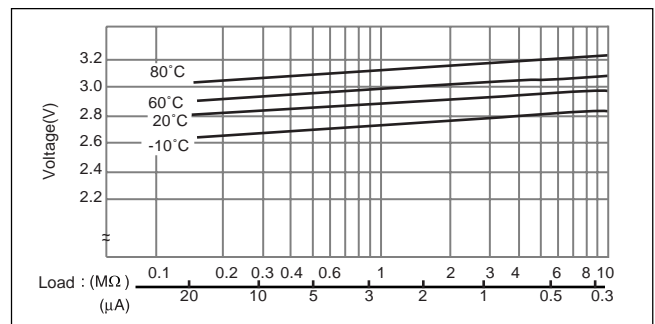
### ■ Specification

Nominal voltage (V)	3
Nominal capacity (mAh)	48
Continuous standard load (mA)	0.03
Operating temperature (C)	-30 ~ +80

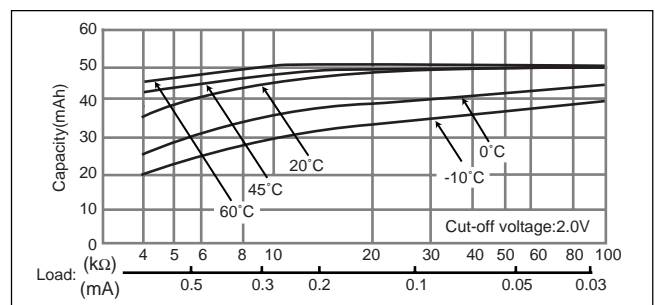
### ■ Temperature Characteristics



### ■ Operating voltage vs. load resistance (voltage at 50% discharge depth)



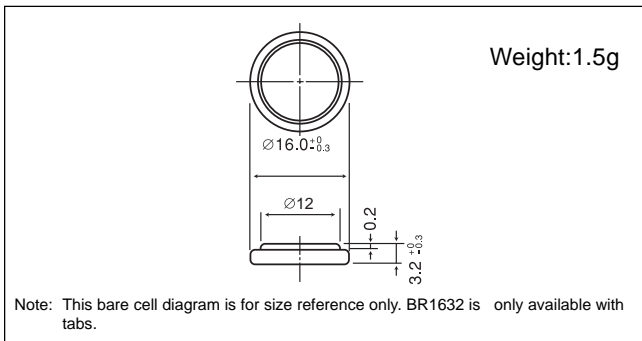
### ■ Capacity vs. load resistance



# Poly-carbonmonofluoride Lithium Coin Batteries: Individual Specifications

## BR1632

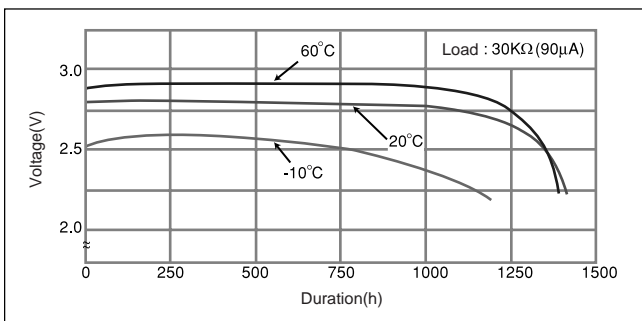
### ■ Dimensions(mm)



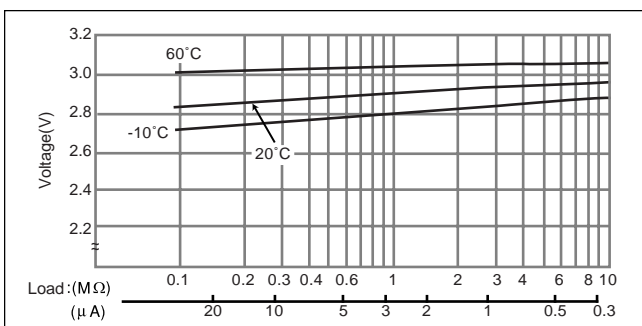
### ■ Specification

Nominal voltage (V)	3
Nominal capacity (mAh)	120
Continuous standard load (mA)	0.03
Operating temperature (C)	-30 ~ +80

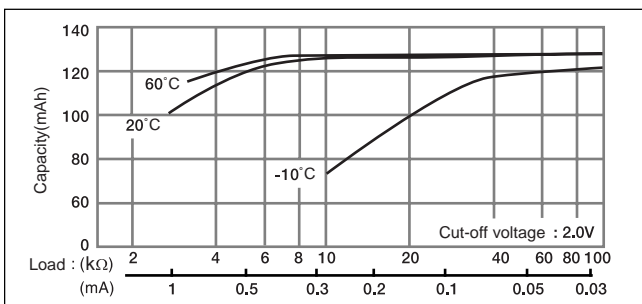
### ■ Temperature Characteristics



### ■ Operating voltage vs. load resistance (voltage at 50% discharge depth)

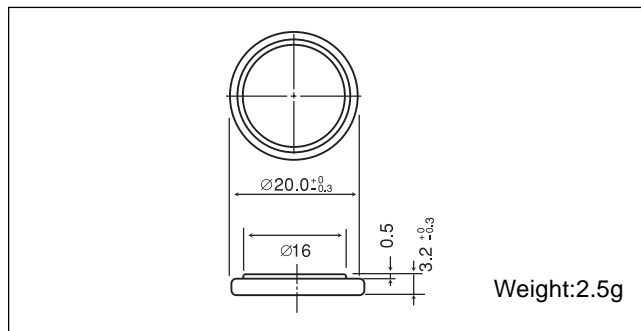


### ■ Capacity vs. load resistance



## BR2032

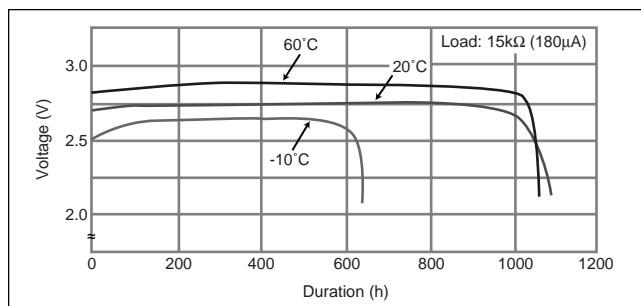
### ■ Dimensions(mm)



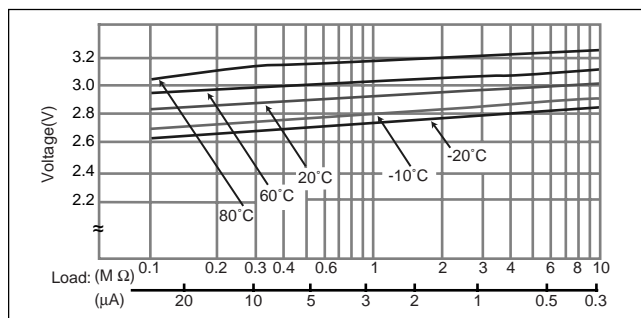
### ■ Specification

Nominal voltage (V)	3
Nominal capacity (mAh)	190
Continuous standard load (mA)	0.03
Operating temperature (C)	-30 ~ +80

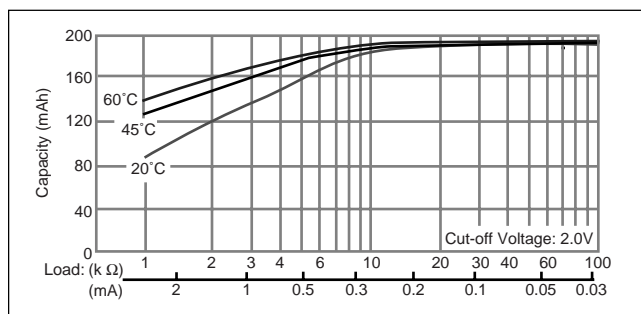
### ■ Temperature Characteristics



### ■ Operating voltage vs. load resistance (voltage at 50% discharge depth)



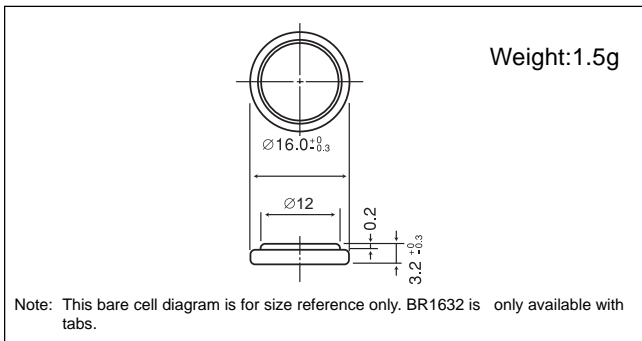
### ■ Capacity vs. load resistance



# Poly-carbonmonofluoride Lithium Coin Batteries: Individual Specifications

## BR1632

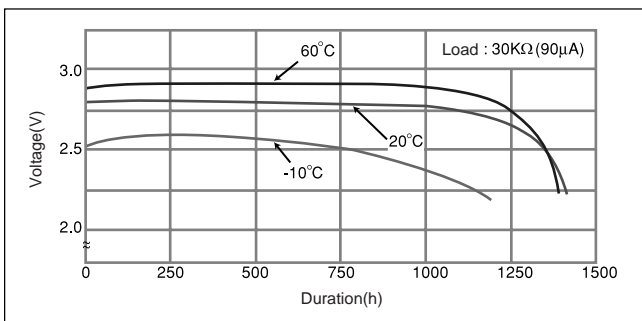
### ■ Dimensions(mm)



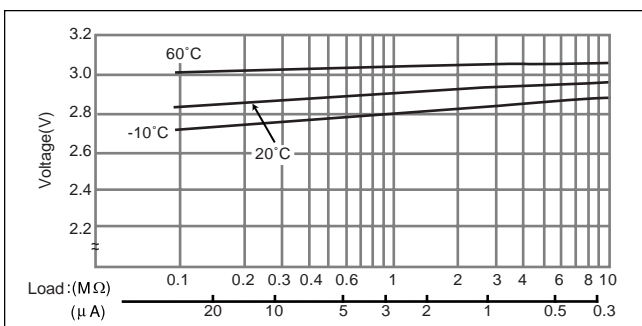
### ■ Specification

Nominal voltage (V)	3
Nominal capacity (mAh)	120
Continuous standard load (mA)	0.03
Operating temperature (C)	-30 ~ +80

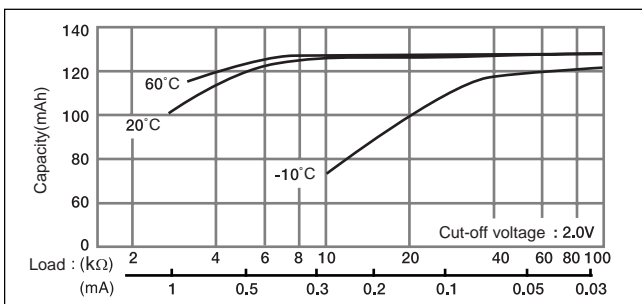
### ■ Temperature Characteristics



### ■ Operating voltage vs. load resistance (voltage at 50% discharge depth)

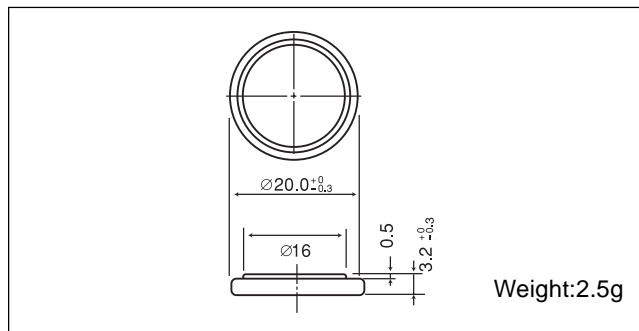


### ■ Capacity vs. load resistance



## BR2032

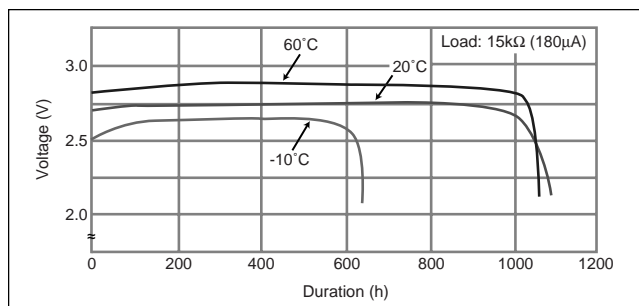
### ■ Dimensions(mm)



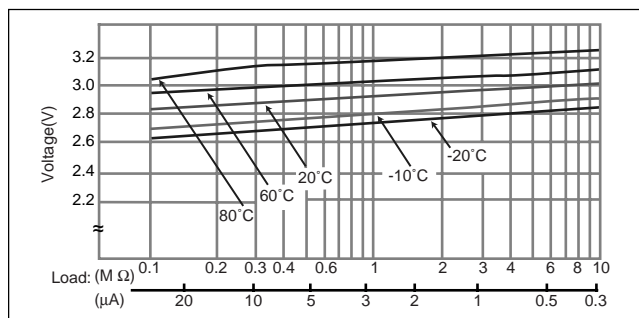
### ■ Specification

Nominal voltage (V)	3
Nominal capacity (mAh)	190
Continuous standard load (mA)	0.03
Operating temperature (C)	-30 ~ +80

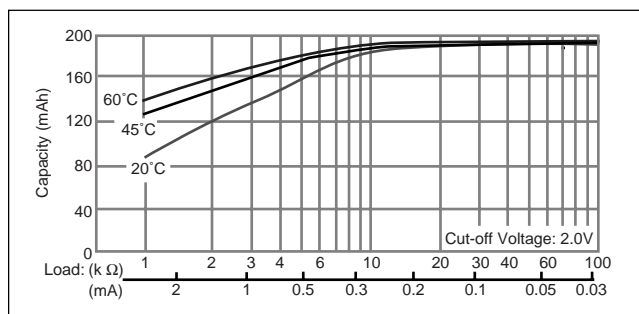
### ■ Temperature Characteristics



### ■ Operating voltage vs. load resistance (voltage at 50% discharge depth)



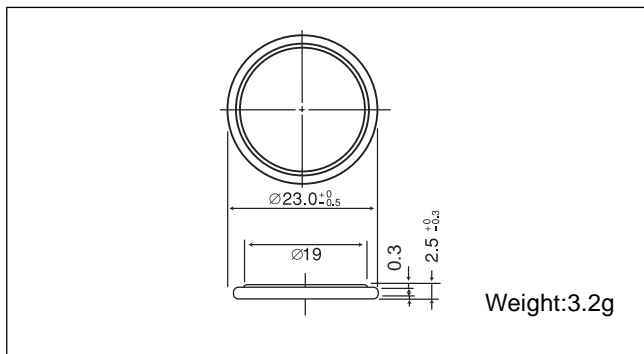
### ■ Capacity vs. load resistance



# Poly-carbonmonofluoride Lithium Coin Batteries: Individual Specifications

## BR2325

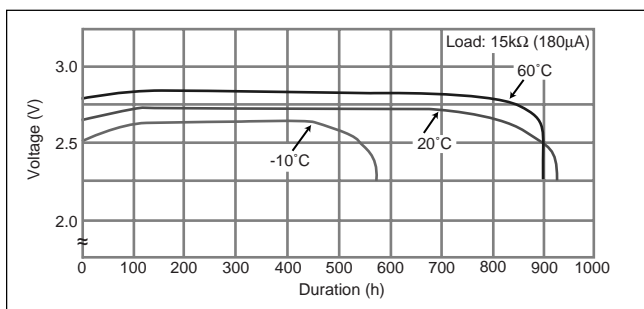
### ■ Dimensions(mm)



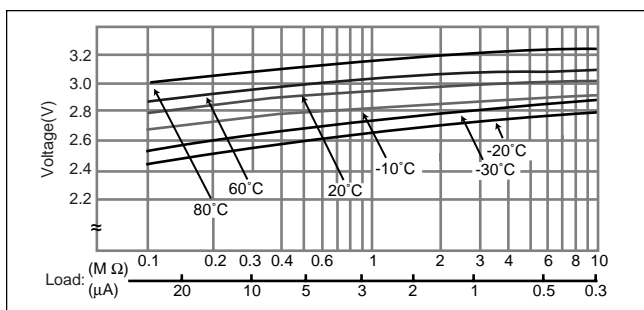
### ■ Specification

Nominal voltage (V)	3
Nominal capacity (mAh)	165
Continuous standard load (mA)	0.03
Operating temperature (C)	-30 ~ +80

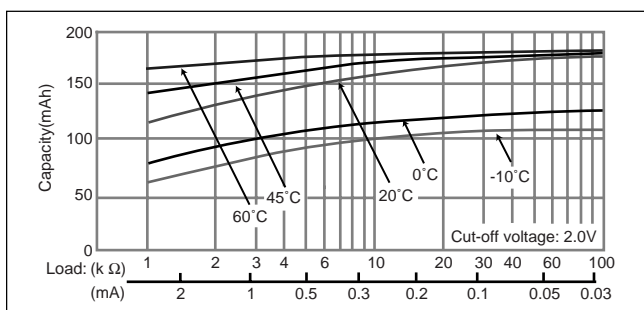
### ■ Temperature Characteristics



### ■ Operating voltage vs. load resistance (voltage at 50% discharge depth)

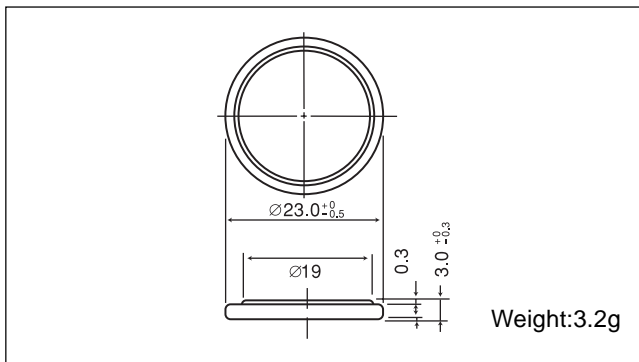


### ■ Capacity vs. load resistance



## BR2330

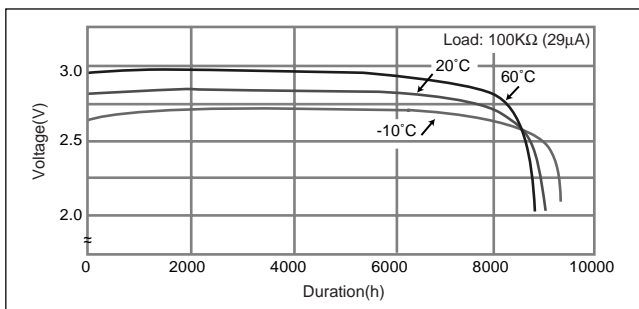
### ■ Dimensions(mm)



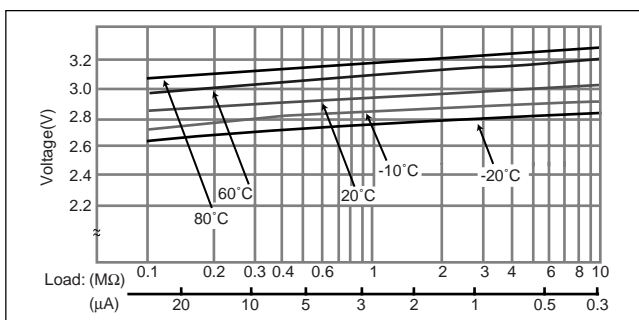
### ■ Specification

Nominal voltage (V)	3
Nominal capacity (mAh)	255
Continuous standard load (mA)	0.03
Operating temperature (C)	-30 ~ +80

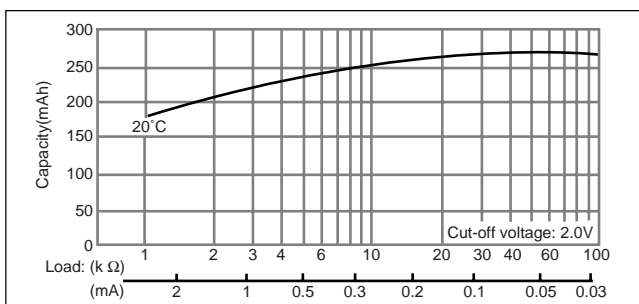
### ■ Temperature Characteristics



### ■ Operating voltage vs. load resistance (voltage at 50% discharge depth)



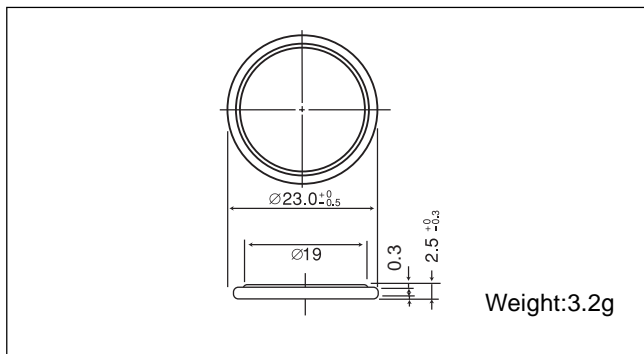
### ■ Capacity vs. load resistance



# Poly-carbonmonofluoride Lithium Coin Batteries: Individual Specifications

## BR2325

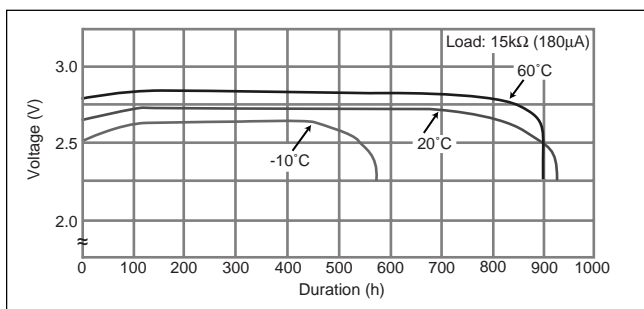
### ■ Dimensions(mm)



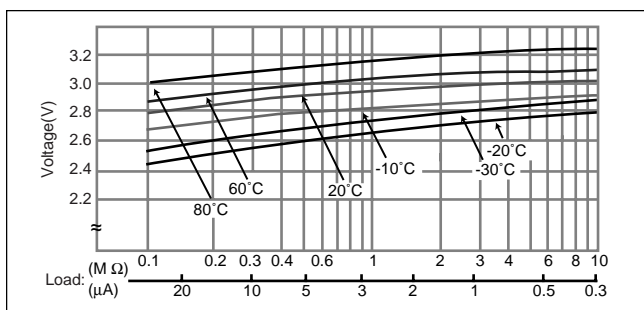
### ■ Specification

Nominal voltage (V)	3
Nominal capacity (mAh)	165
Continuous standard load (mA)	0.03
Operating temperature (C)	-30 ~ +80

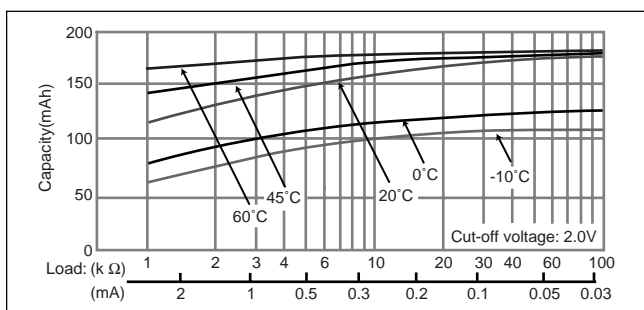
### ■ Temperature Characteristics



### ■ Operating voltage vs. load resistance (voltage at 50% discharge depth)

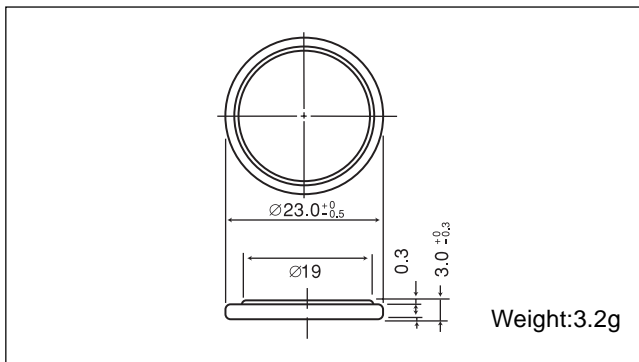


### ■ Capacity vs. load resistance



## BR2330

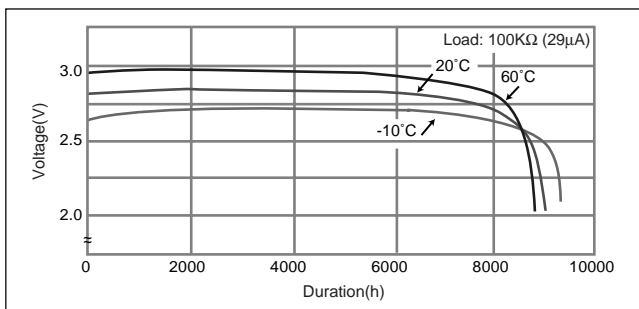
### ■ Dimensions(mm)



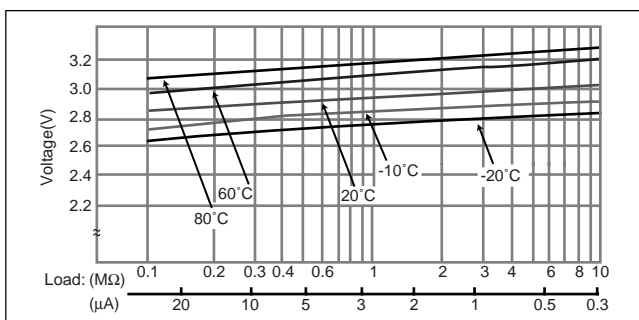
### ■ Specification

Nominal voltage (V)	3
Nominal capacity (mAh)	255
Continuous standard load (mA)	0.03
Operating temperature (C)	-30 ~ +80

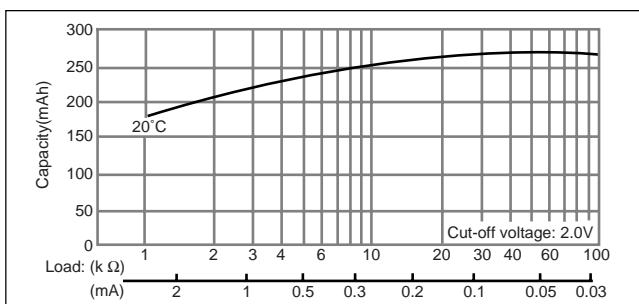
### ■ Temperature Characteristics



### ■ Operating voltage vs. load resistance (voltage at 50% discharge depth)



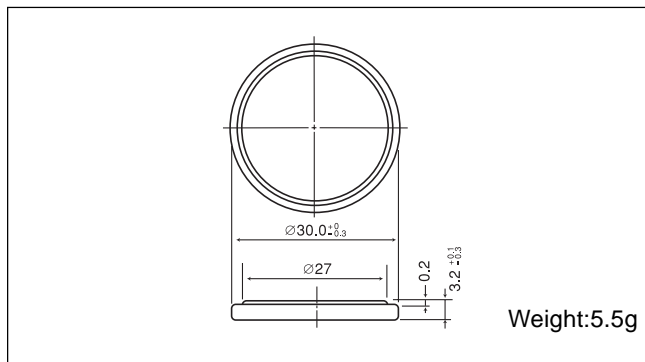
### ■ Capacity vs. load resistance



# Poly-carbonmonofluoride Lithium Coin Batteries: Individual Specifications

## BR3032

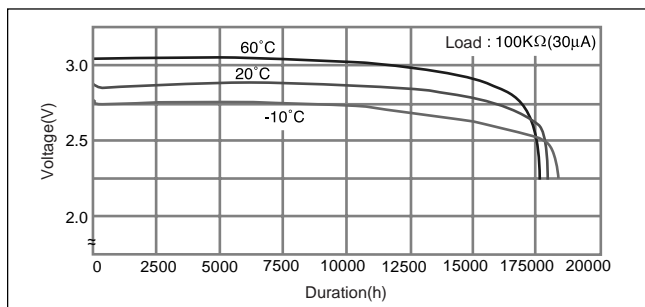
### ■ Dimensions(mm)



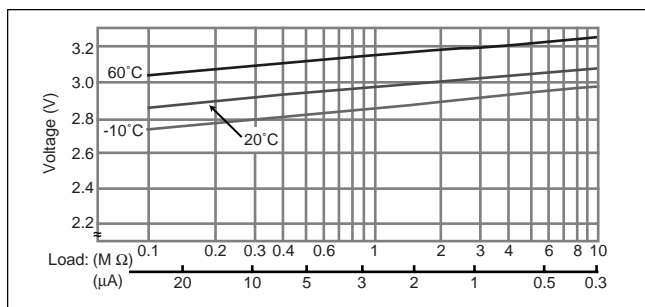
### ■ Specification

Nominal voltage (V)	3
Nominal capacity (mAh)	500
Continuous standard load (mA)	0.03
Operating temperature (C)	-30 ~ +80

### ■ Temperature Characteristics



### ■ Operating voltage vs. load resistance (voltage at 50% discharge depth)



### ■ Capacity vs. load resistance

