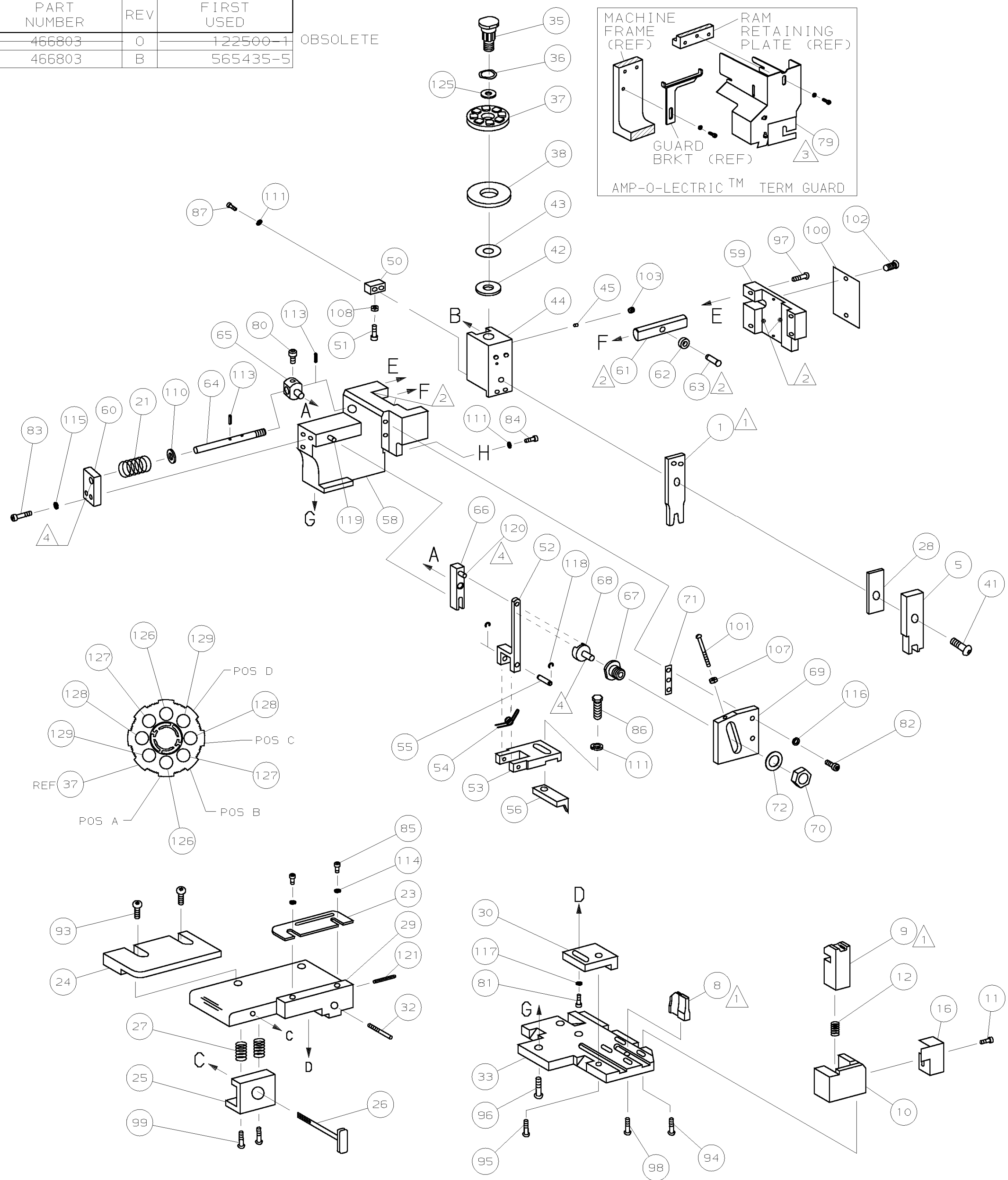
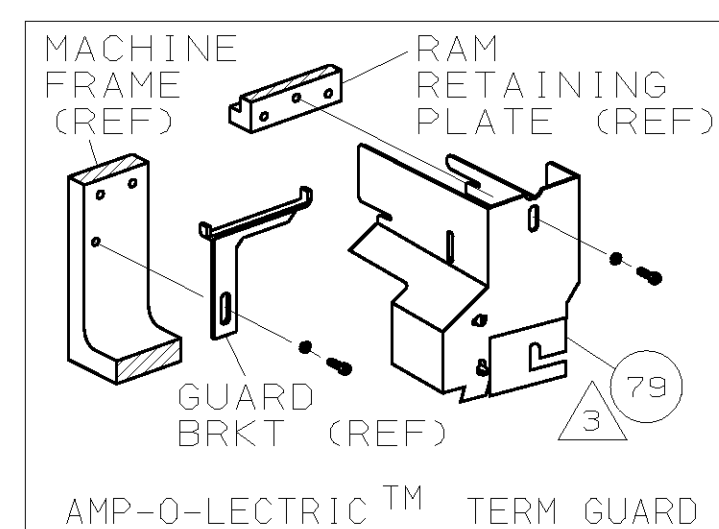


| PART NUMBER | REV | FIRST USED |
|-------------|-----|------------|
| 466803      | 0   | 122500-1   |
| 466803      | B   | 565435-5   |

OBSOLETE



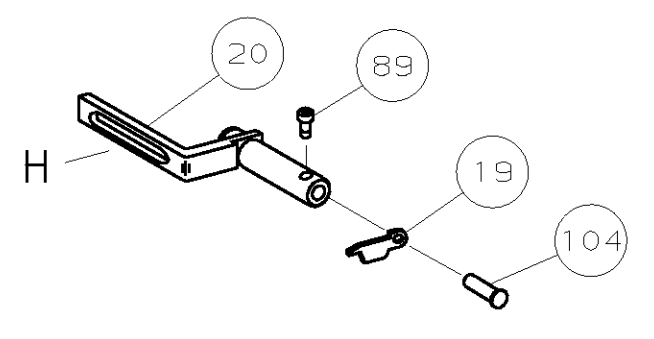
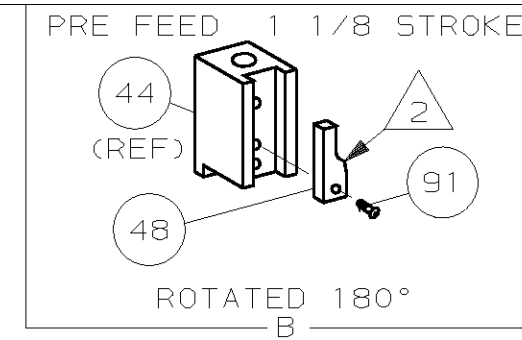
| TERMINAL NAME: Ø.093 PIN |                           | CRIMPING DATA |       |
|--------------------------|---------------------------|---------------|-------|
| PAD LTR                  | CRIMP HEIGHT              | WIRE SIZE     |       |
| A                        | .056 ±.002 [1.42 ±0.05mm] | 16            |       |
| B                        | .048 ±.002 [1.22 ±0.05mm] | 18            |       |
| C                        | .044 ±.002 [1.12 ±0.05mm] | 20            |       |
| D                        | .041 ±.002 [1.04 ±0.05mm] | 22            |       |
| CRIMP                    | SIZE                      | TYPE          | RANGE |
| WIRE                     | .090 [2.29mm]             | F             | 22-16 |
| INSUL                    | -                         | -             | -     |

|    |               |                |
|----|---------------|----------------|
| -1 | LEADMAKER     | MECH-POST FEED |
| -2 | BENCH MODEL K | MECH-PRE FEED  |

| REF | REF | - | B | 22594-8    | NUT, HEX (1/2-20)           | 70 |
|-----|-----|---|---|------------|-----------------------------|----|
| REF | REF | - | B | 240628-1   | PLATE, ADJUSTMENT           | 69 |
| REF | REF | - | B | 240626-1   | SHAFT, PIVOT                | 68 |
| REF | REF | - | B | 240633-1   | BUSHING                     | 67 |
| REF | REF | - | A | 455680-1   | LEVER, INTERMEDIATE         | 66 |
| REF | REF | - | B | 240629-1   | BLOCK, PIVOT                | 65 |
| REF | REF | - | A | 240632-2   | SCREW, ADJ FEED ROD         | 64 |
| REF | REF | - | B | 240659-3   | PIN, CAM ROLLER             | 63 |
| REF | REF | - | B | 240658-1   | ROLLER, CAM                 | 62 |
| REF | REF | - | B | 454398-2   | ROD, FEED                   | 61 |
| REF | REF | - | A | 454178-1   | GUIDE, FEED ROD             | 60 |
| REF | REF | - | C | 454220-1   | CAP, RAM                    | 59 |
| REF | REF | - | D | 454485-1   | HOUSING                     | 58 |
|     |     |   |   |            |                             | 57 |
| 1   | 1   | - | B | 690542-2   | PAWL, FEED                  | 56 |
| REF | REF | - | B | 240624-1   | PIN, FEED FINGER            | 55 |
| REF | REF | - | B | 691499-1   | SPRING, FEED FINGER         | 54 |
| REF | REF | - | B | 690541-1   | HOLDER, FEED FINGER         | 53 |
| REF | REF | - | A | 455679-1   | LEVER, TERMINAL FEED ARM    | 52 |
| 1   | 1   | - | A | 811242-2   | BUMPER, HOLDDOWN            | 51 |
| 1   | 1   | - | A | 690753-1   | SPACER, TONKER              | 50 |
|     |     |   |   |            |                             | 49 |
| 1   | -   | - | B | 690602-5   | CAM, PRE-FEED 1 1/8 ST      | 48 |
|     |     |   |   |            |                             | 47 |
| 1   | 1   | - | B | 459456-1   | APPLICATOR, BASIC (SUBASSY) | 46 |
| 1   | 1   | - | A | 690191-1   | PLUG, NYLON                 | 45 |
| 1   | 1   | - | C | 455673-1   | RAM                         | 44 |
| 1   | 1   | - | A | 690125-1   | WASHER, LAMINATED           | 43 |
| 1   | 1   | - | A | 690124-1   | WASHER, RAM                 | 42 |
| 1   | 1   | - | A | 7-21002-9  | BOLT, CRIMPER (5/16x1.00)   | 41 |
|     |     |   |   |            |                             | 40 |
|     |     |   |   |            |                             | 39 |
| 1   | 1   | - | A | 690223-2   | SPACER, INSULATION DISC     | 38 |
| 1   | 1   | - | D | 354777-1   | WIRE DISC, PLASTIC          | 37 |
| 1   | 1   | - | A | 22480-5    | WASHER, SPRING              | 36 |
| 1   | 1   | - | B | 690212-1   | POST, RAM                   | 35 |
|     |     |   |   |            |                             | 34 |
| REF | REF | - | D | 455675-1   | PLATE, BASE                 | 33 |
| 1   | 1   | - | A | 690432-3   | SCREW, ADJUSTMENT           | 32 |
|     |     |   |   |            |                             | 31 |
| REF | REF | - | B | 455689-1   | BLOCK, STRIP GUIDE ADJ      | 30 |
| 1   | 1   | - | C | 455671-1   | PLATE, STRIP GUIDE          | 29 |
| 1   | 1   | - | C | 1-455888-0 | SPACER, FRONT SHEAR DEP     | 28 |
| 2   | 2   | - | A | 1-22284-0  | SPRING, DRAG                | 27 |
| 1   | 1   | - | B | 690546-1   | LEVER, DRAG RELEASE         | 26 |
| 1   | 1   | - | B | 240792-1   | DRAG, TERMINAL              | 25 |
| 1   | 1   | - | D | 7-690504-1 | GUIDE, STRIP (REAR)         | 24 |
| 1   | 1   | - | A | 690438-1   | GUIDE, STRIP (FRONT)        | 23 |
|     |     |   |   |            |                             | 22 |
| REF | REF | - | A | 4-22284-9  | SPRING, FEED RETURN         | 21 |
| 1   | -   | - | A | 679218-1   | STRIPPER WIRE STOP ASSY     | 20 |
| 1   | -   | - | B | 458949-1   | STRIPPER                    | 19 |
|     |     |   |   |            |                             | 18 |
|     |     |   |   |            |                             | 17 |
| 1   | 1   | - | B | 318563-1   | GUARD, CHIP, FRONT          | 16 |
|     |     |   |   |            |                             | 15 |
|     |     |   |   |            |                             | 14 |
|     |     |   |   |            |                             | 13 |
| 1   | 1   | - | A | 5-22280-0  | SPRING, SHEAR               | 12 |
| 1   | 1   | - | B | 690461-1   | STOP, SHEAR                 | 11 |
| 1   | 1   | - | C | 690459-1   | HOLDER, SHEAR (FRONT)       | 10 |
| 1   | 1   | - | C | 454276-1   | SHEAR, FLOAT (FRONT)        | 9  |
| 1   | 1   | - | C | 4-690512-8 | ANVIL                       | 8  |
|     |     |   |   |            |                             | 7  |
|     |     |   |   |            |                             | 6  |
| 1   | 1   | - | C | 1-455889-4 | DEPRESSOR, SHEAR (FRONT)    | 5  |
|     |     |   |   |            |                             | 4  |
|     |     |   |   |            |                             | 3  |
|     |     |   |   |            |                             | 2  |
| 1   | 1   | - | C | 3-456406-0 | CRIMPER, WIRE               | 1  |

| QTY | REF | REF | - | DESCRIPTION | ITEM NO                            |     |
|-----|-----|-----|---|-------------|------------------------------------|-----|
| 2   | 2   | -   | C | 4-354779-0  | PIN, WIRE DISC (.3190)D            | 129 |
| 2   | 2   | -   | C | 3-354779-4  | PIN, WIRE DISC (.3160)C            | 128 |
| 2   | 2   | -   | C | 2-354779-6  | PIN, WIRE DISC (.3120)B            | 127 |
| 2   | 2   | -   | C | 1-354779-0  | PIN, WIRE DISC (.3040)A            | 126 |
| 1   | 1   | -   | A | 986950-1    | WASHER, FLAT PRECISION             | 125 |
| 1   | 1   | -   | A | 217238-1    | GENERAL INSTRUCTION PACKAGE        | 124 |
| 1   | 1   | -   | - | 4088040     | SF APPL INST 408-8040              | 123 |
|     |     |     |   |             |                                    | 122 |
| 1   | 1   | -   | A | 4-21028-0   | PIN, SLT SPR (Ø.093x.75)ST GDE PL  | 121 |
| REF | REF | -   | A | 1-21030-1   | PIN, DOWEL (Ø.187x.50)LEVER        | 120 |
| REF | REF | -   | A | 1-21030-6   | PIN, DOWEL (Ø.187x1.25)HOUSING     | 119 |
| REF | REF | -   | A | 21045-3     | RING, RET "C" (Ø.187)FD FING PIN   | 118 |
| 1   | 1   | -   | A | 21024-5     | WASHER, LOCK (#10)ADJ BLOCK        | 117 |
| REF | REF | -   | A | 21024-5     | WASHER, LOCK (#10)ADJ PLATE        | 116 |
| REF | REF | -   | A | 21024-5     | WASHER, LOCK (#10)FEED GDE ROD     | 115 |
| 2   | 2   | -   | A | 21024-2     | WASHER, LOCK (#4)FRONT STP GUIDE   | 114 |
| REF | REF | -   | A | 5-21028-1   | PIN, SLT SPR (Ø.125x.50)ADJ ROD    | 113 |
|     |     |     |   |             |                                    | 112 |
| 4   | 4   | -   | A | 21024-4     | WASHER, LOCK (#8) STRIPPER         | 111 |
| REF | REF | -   | A | 21899-4     | WASHER, FLAT (Ø5/16) SCREW ADJ     | 110 |
|     |     |     |   |             |                                    | 109 |
| 1   | 1   | -   | A | 21018-5     | NUT, HEX (NO. 6) HOLDDOWN          | 108 |
| REF | REF | -   | A | 21018-5     | NUT, HEX (6-32) FEED ADJ           | 107 |
|     |     |     |   |             |                                    | 106 |
|     |     |     |   |             |                                    | 105 |
| 1   | -   | -   | A | 992031-1    | PIN, CLEVIS                        | 104 |
| 1   | 1   | -   | A | 21009-2     | SCR, SKT 5ET (1/4-20x.25 LW)RAM    | 103 |
| 2   | 2   | -   | A | 21017-2     | SCR, DRIVE (#2x.19) ID PLATE       | 102 |
| REF | REF | -   | A | 6-23715-5   | SCR, PAN HD (6-32x1.50) FEED ADJ   | 101 |
| 1   | 1   | -   | B | 461264-1    | PLATE, IDENTIFICATION              | 100 |
| 2   | 2   | -   | A | 3-21002-0   | SCR, BHC (10-32x.88) DRAG          | 99  |
| 1   | 1   | -   | A | 22733-8     | SCR, BHC (8-32x.38 LW) ANVIL       | 98  |
| REF | REF | -   | A | 2-21002-9   | SCR, BHC (10-32x.75) CAP           | 97  |
| REF | REF | -   | A | 2-22733-8   | SCR, BHC (1/4-20x.62) HOUSING      | 96  |
| REF | REF | -   | A | 2-21002-7   | SCR, BHC (10-32x.50) 56 ADJ BLOCK  | 95  |
| 2   | 2   | -   | A | 2-21002-2   | SCR, BHC (8-32x.50) TERM H DWN     | 94  |
| 2   | 2   | -   | A | 2-21002-1   | SCR, BHC (8-32x.38) R STP GDE      | 93  |
|     |     |     |   |             |                                    | 92  |
| 1   | 1   | -   | A | 1-21002-7   | SCR, BHC (6-32x.38) CAM            | 91  |
|     |     |     |   |             |                                    | 90  |
| 1   | -   | -   | A | 7-21000-9   | SCR, SHC (4-40x.19) STRIPPER       | 89  |
|     |     |     |   |             |                                    | 88  |
| 2   | 2   | -   | A | 2-21000-7   | SCR, SHC (8-32x.48) DEP-HOLD       | 87  |
| 1   | 1   | -   | A | 2-22603-0   | SCR, HEX HD (8-32x.31) FEED FINGER | 86  |
| 2   | 2   | -   | A | 1-21000-3   | SCR, SHC (4-40x.25) F ST GUIDE     | 85  |
| 1   | 1   | -   | A | 2-21000-7   | SCR, SHC (8-32x.50) STRIPPER       | 84  |
| REF | REF | -   | A | 3-21000-7   | SCR, SHC (10-32x.75) FEED ROD GD   | 83  |
| REF | REF | -   | A | 3-21000-6   | SCR, SHC (10-32x.62) FD ADJ BLK    | 82  |
| 1   | 1   | -   | A | 3-21000-4   | SCR, SHC (10-32x.38) 56 ADJ BL     | 81  |
| REF | REF | -   | A | 3-21000-4   | SCR, SHC (10-32x.38) PIVOT BLK     | 80  |
| REF | -   | -   | B | 455749-1    | GUARD, WINDOW                      | 79  |
|     |     |     |   |             |                                    | 78  |
|     |     |     |   |             |                                    | 77  |
|     |     |     |   |             |                                    | 76  |
|     |     |     |   |             |                                    | 75  |
|     |     |     |   |             |                                    | 74  |
|     |     |     |   |             |                                    | 73  |
| REF | REF | -   | A | 458109-1    | WASHER, SPECIAL                    | 72  |
| REF | REF | -   | A | 690517-1    | SPACER                             | 71  |

- 1 RECOMMENDED SPARE PARTS.
- 2 GREASE LIGHTLY.
- 3 GUARD MUST BE IN PLACE WHEN OPERATING APPLICATOR IN A BENCH MACHINE.
- 4 LUBRICATE DAILY USING NO. 20 MACHINE OIL.
- 5. ITEMS WITH QTY OF REF SPECIFIED (EXCEPT ITEM 79) ARE USED ON ITEM 46.
- 6 CUT TO LENGTH AT ASSY



THIS DRAWING IS A CONTROLLED DOCUMENT.

THIS DRAWING IS UNRELEASED. RELEASED FOR PUBLICATION BY AMP INCORPORATED. ALL RIGHTS RESERVED. COPYRIGHT 19

A 66

466803

D

C

B

A

DIMENSIONS IN INCHES. DO NOT SCALE PRINT. TOLERANCES UNLESS OTHERWISE SPECIFIED:

DR 9-93-96 APP 10-8-96  
D. SALTZER T. ELBIN  
CHK 10-8-96 REL 10/14/96  
C. ERISMANN B. MORGAN

AMP Incorporated  
Harrisburg, PA 17105-3608

NAME: SIDE FEED HDM APPLICATOR MACHINE REF: MINI APPL

SCALE: D DWG NO: 466803 SHEET: 1 OF 1 REV: B

CASE CODE: 00779 CUSTOMER AND ASSEMBLY DRAWING RESTRICTED TO