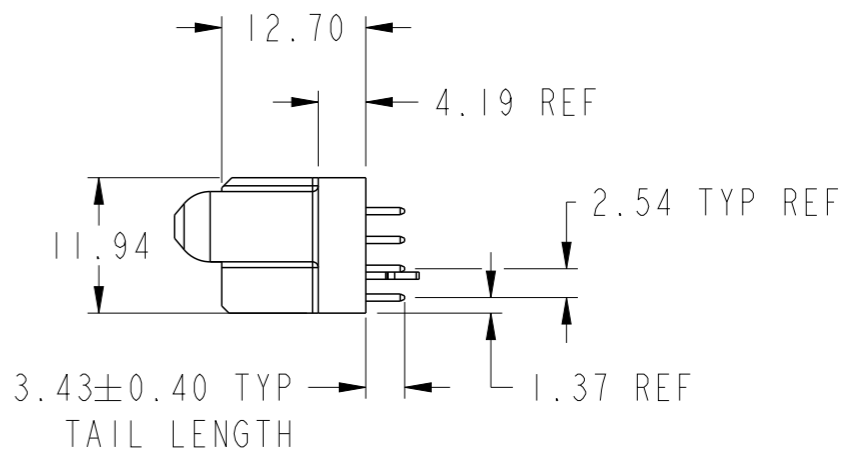
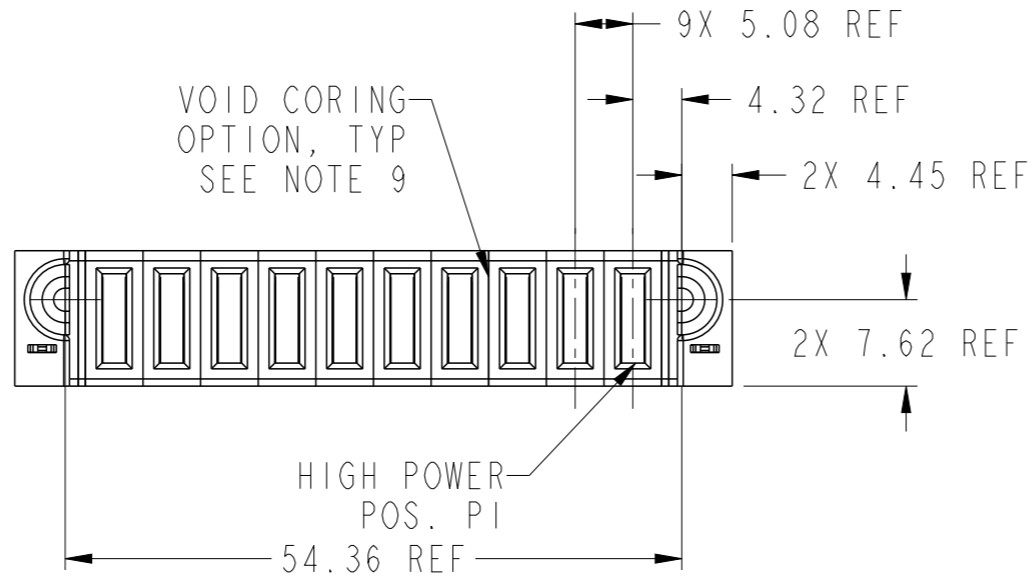
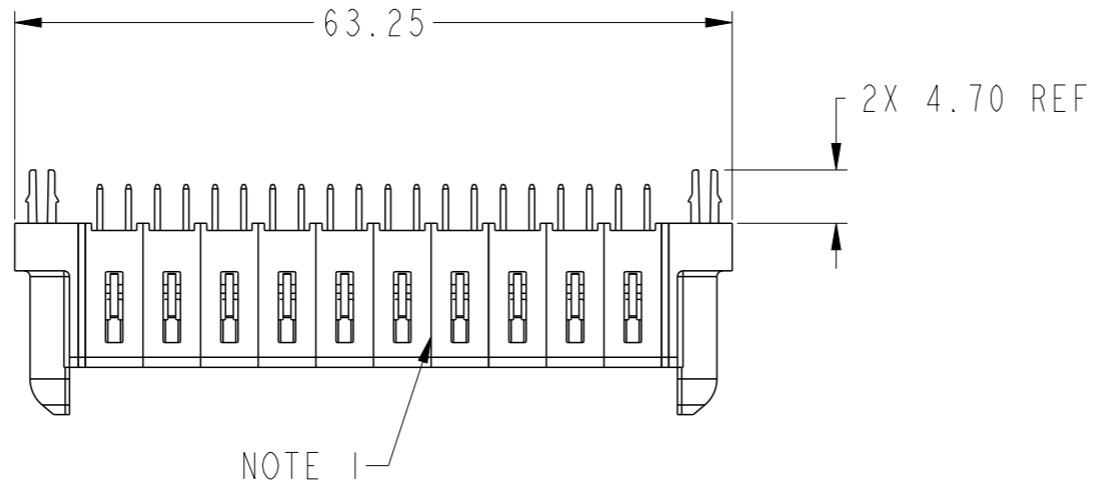
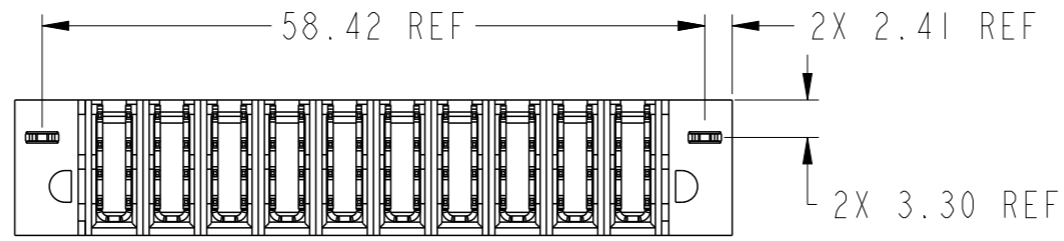


PRODUCT NUMBER SEE SHEET 2

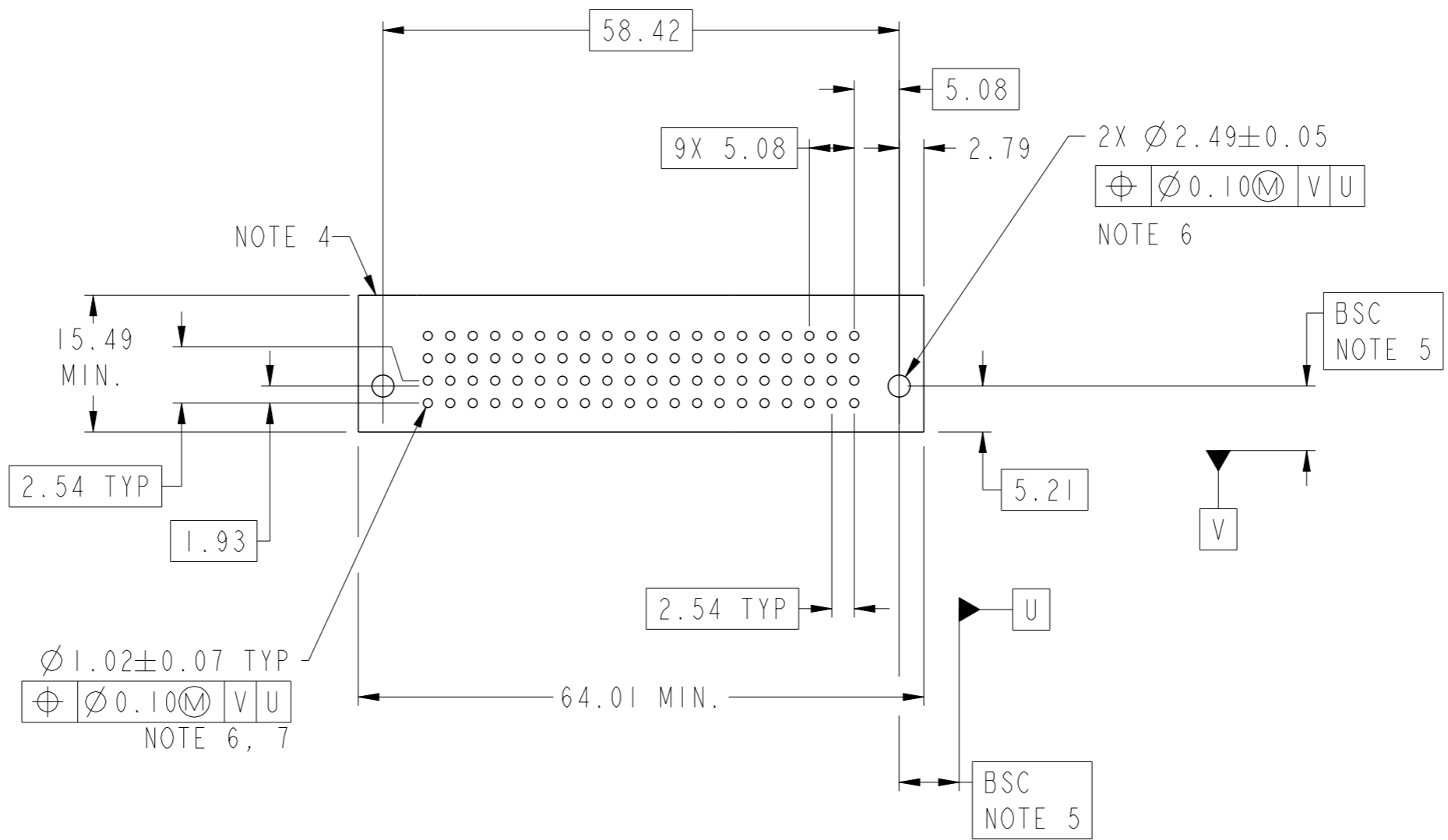


Copyright FCI.

spec ref		dr	Helen Zhang	2013/04/27	projection	MM	size	A3	scale	3:2		
tolerance std ASME Y14.5		TOLERANCES UNLESS OTHERWISE SPECIFIED			eng	Helen Zhang	2013/05/21	ecn no	-			
surface ✓		chr	-		appr	Pei-Ming Zheng	2013/05/21	product family	PowerBlade+	rel level	Released	
ASME Y14.5		linear	0.X	±0.50	FCI		title	10HDP	dwg no	10106138-A000001	rev	A
		angular	0°	±2°	www.fci.com		cat. no.	Product - Customer Drw		sheet 1 of 3		

PRODUCT NO.	ROWS	HP												E2
		E1	P10	P9	P8	P7	P6	P5	P4	P3	P2	P1		
10106138-A000001LF	D C B A	HA	H3	H3	H3	H3	H3	H3	H3	H3	H3	H3	H3	HA

CODE	DESCRIPTION
H3	STD HIGH POWER CONTACT (3.43)
HA	METAL HOLD DOWN



dr	Helen Zhang	2013/04/27	projection	MM	size	A3	scale	3:2
eng	Helen Zhang	2013/05/21			ecn no			
chr	-	-			-			
appr	Pei-Ming Zheng	2013/05/21	product family	PowerBlade+	rel level			
			title	10HDP VT STB RECEPTACLE	dwg no	10106138-A000001	rev	A
www.fci.com			cat. no.	Product - Customer Drw			sheet 2 of 3	

Copyright FCI.

A

B

C

D

A

B

C

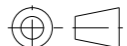
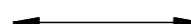

D

NOTES:

- 1) "FCI", PART NUMBER AND DATE CODE TO BE MARKED ON THIS SURFACE.
THE MARK CAN BE OMITTED IF THERE IS NOT ENOUGH SPACE ON THIS SURFACE.
- 2) MATERIALS:
-HOUSING - GLASS FILLED WITH HIGH TEMP THERMOPLASTIC, UL94V-0.
-SIGNAL CONTACT - COPPER ALLOY.
-POWER CONTACT - HIGH CONDUCTIVITY COPPER ALLOY.
- 3) PLATING SPECIFICATION REFER TO FCI 10116351
- 4) DENOTES CONNECTOR KEEP OUT ZONE.
- 5) DATUM AND BASIC DIMENIONS WERE ESTABLISHED BY CUSTOMER.
- 6) ALL HOLE DIAMETERS ARE FINISHED HOLE SIZES.
- 7) 1.15 ± 0.025MM DRILLED HOLE PLATED WITH 0.00762MM MIN Sn
OVER 0.0254-0.0762MM Cu PLATING TO ACHIEVE A 1.02 ± 0.07MM HOLE.
- 8) PRODUCT SPECIFICATION REFER TO FCI GS-12-658.
APPLICATION SPECIFICATION REFER TO FCI GS-20-141.
PRODUCT PACKAGED IN TRAYS, REFER TO FCI GS-14-1502.
- 9) THE VOID CORING IN BETWEEN POWER MODULES, SIGNAL
MODULES AND END MODULES ARE OPTIONAL AND THE SHAPE
MAY BE DIFFERENT FOR OPTIMIZE THE MOLDING PROCESS. THE
VOID CORING WILL NOT EFFECT TO PRODUCT FUNCTION.



Copyright FCI.

dr	Helen Zhang	2013/04/27	projection 	MM 	size	A3	scale	1:1
eng	Helen Zhang	2013/05/21			ecn no	-		
chr	-	-			rel level	Released		
appr	Pei-Ming Zheng	2013/05/21	product family	PowerBlade+				
		title 10HDP VT STB RECEPTACLE		dwg no 10106138-A000001	rev A			
www.fci.com		cat. no.	Product - Customer Drw		sheet 3 of 3			