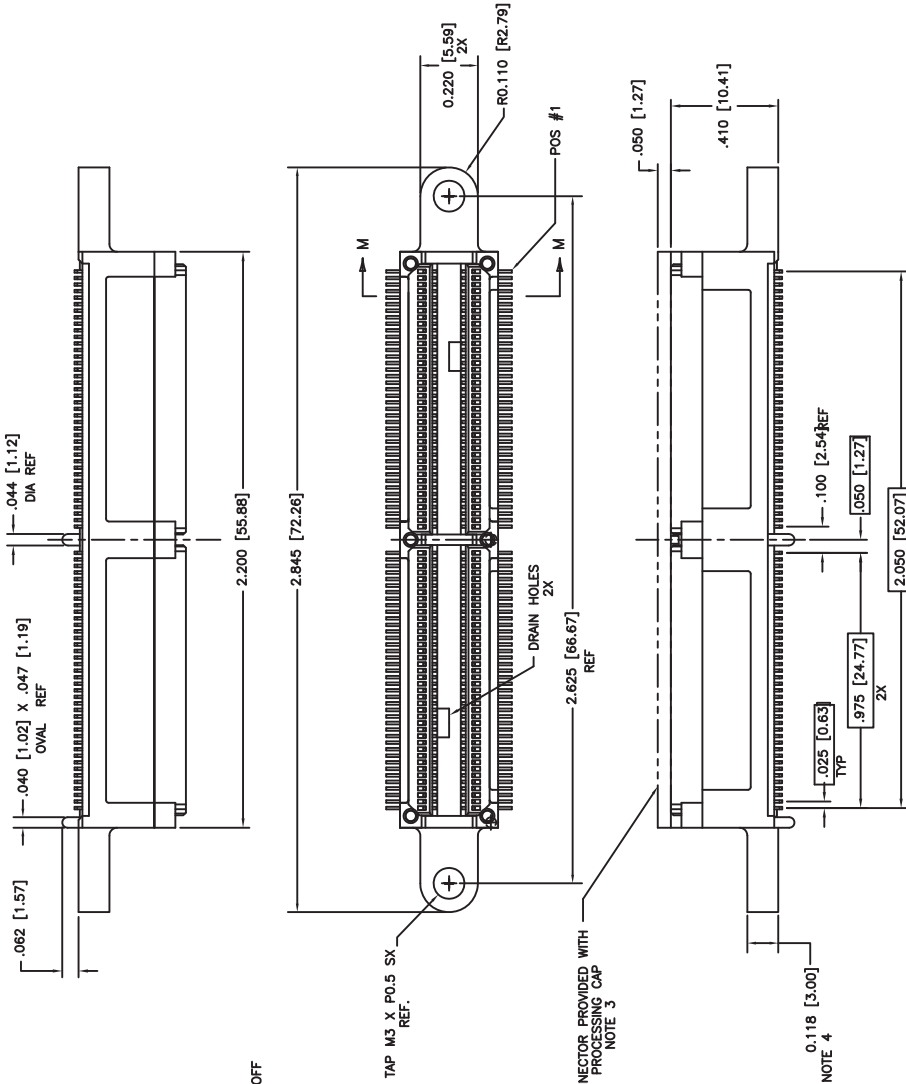
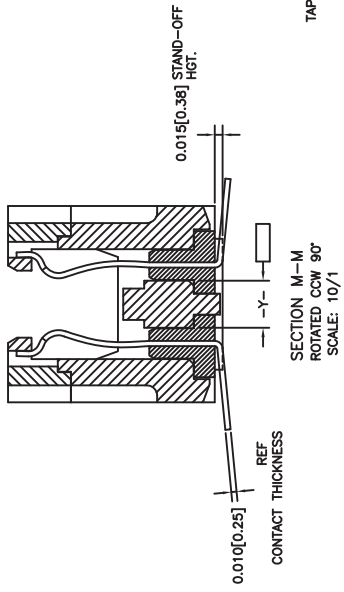
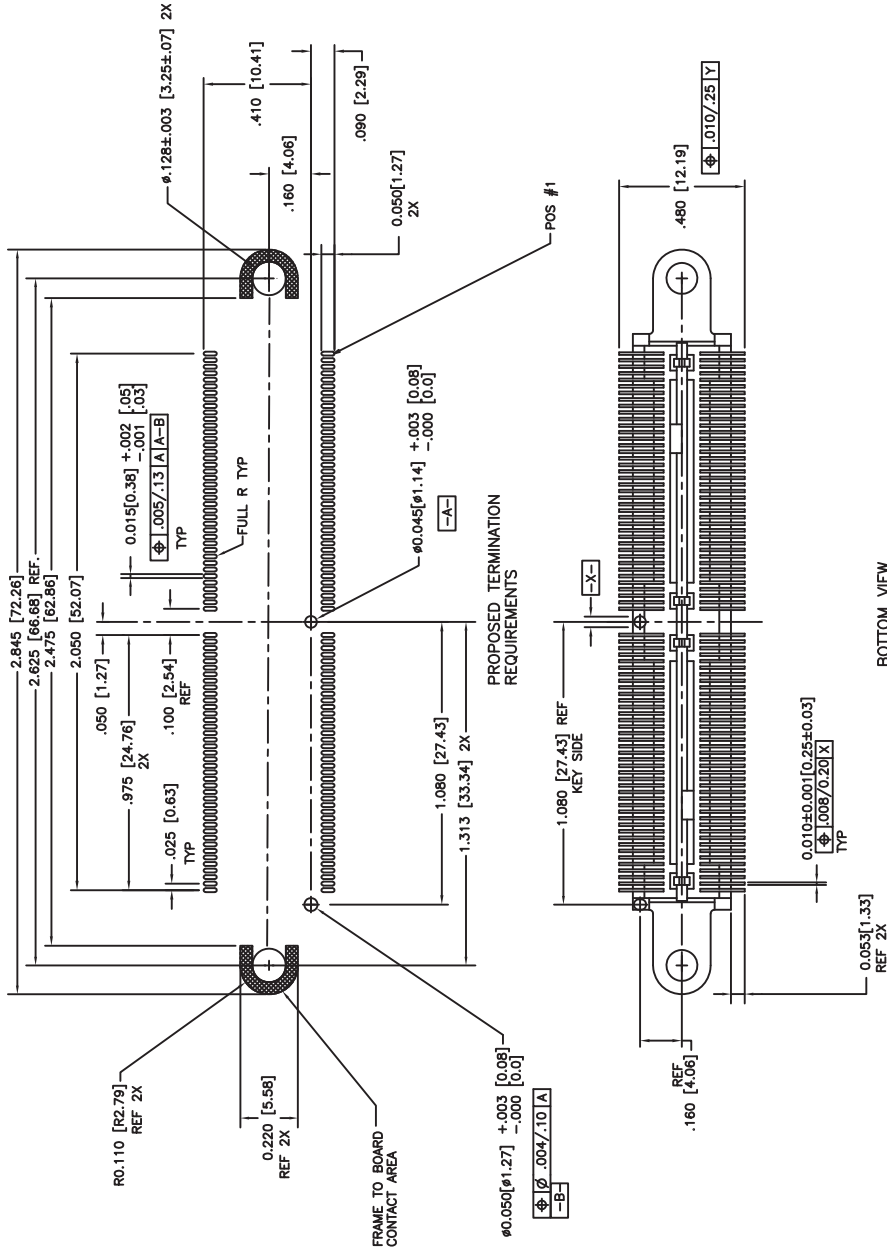


PRODUCT NUMBER	10022825-001
	10022825-001LF



mat'l. code		surface	ISO 1502	tolerance	ISO 406 ISO 1101	projection	MICROPAX
lit	ECN no	date	ISO 1502	tolerances unless otherwise specified		file	
A	V03-0847	GJP 8/05/03	linear	ASL01/ASL3		.025M SURFACE MOUNT	
B	M05-0082	MHT 5/06/05	linear	XXX.06/XXX.13		RECEIPT, DOUBLE MODULE	
C	M06-0279	MNR 7/22/06	0° ±2°	XXX.00/XXX.00	scale 1:1	dwg no	sheet 1 of 2 size
D	M08-0251	MHT 9/08/08	br	T. BRUNGARD 4/25/03		10022825	A3
			eng	M. GRAY 4/25/03		Product	Customer Drawing
			chr	M. GRAY 4/25/03			
			appd	M. GRAY 4/25/03			
sheet	revision	D					
index	sheet	1					

PRODUCT NUMBER	NO. OF CONTACTS
10022825-001	160
10022825-001LF	



NOTES:

- MATERIALS:
DIELECTRIC: LCP
CONTACTS: BeCu
FRAME: ZINC ALLOY #3
- PLATING:
SOLDER TAILS: 150u"/3.81um Sn Pb
FRAME: 100u"/2.54um Ni
CONTACTS: 30u"/7.6um GXT OVER 50u"/1.27um Ni
OR 60u"/1.52um GXT OVER 75u"/1.90um Ni.
LEAD FREE OPTION:
SOLDER TAILS: 150u"/3.81um Sn
FRAME: 100u"/2.54um Ni
CONTACTS: 30u"/7.6um GXT OVER 50u"/1.27um Ni
OR 60u"/1.52um GXT OVER 75u"/1.90um Ni.
- DO NOT REMOVE PROCESSING CAP UNTIL SOLDERING IS COMPLETED. CAP WILL PREVENT POTENTIAL NOISE PIECE BOW DURING HIGH TEMP. SOLDERING PROCESS.
- THE SOLDER TAILS ON THIS PRODUCT ARE DESIGNED TO BE SOLDERED IN ORDER TO ACCOMMODATE PRINTED CIRCUIT BOARD DIMENSIONAL VARIATIONS. THEREFORE, HOLDDOWN HARDWARE IS REQUIRED TO SECURE THE CONNECTOR TO THE PRINTED CIRCUIT BOARD FOR MOST TYPES OF SOLDER REFLOW OPERATIONS.
- PART NUMBER WITH LF SUFFIX AT THE END IS LEAD FREE.
- IF "LF" P/N THE PRODUCT MEETS EUROPEAN UNION DIRECTIVES AND OTHER COUNTRY REGULATION AS DESCRIBED IN GS-22-008.
- THE HOUSING WILL WITHSTAND EXPOSURE TO 260°C PEAK TEMPERATURE FOR 20 SECONDS IN A CONNECTION, INFRA-RED OR VAPOR PHASE REFLOW OVEN.
- SEE BUS-20-084 (SET-UP APPLICATION SPEC.) FOR REFERENCE.

mat'l. code	surface	tolerance	projection	product family
ISO 1902	ISO 406	ISO 1101		MICROPAX
lt	angles	linear	INCH/MM	file
ecr no	dr	date	scale	.025M SURFACE MOUNT
			1:1	RECEPT, DOUBLE MODULE
				sheet 2 of 2 size
				10022825
				A3
				Product Customer Drawing
sheet	revision			
index	sheet			