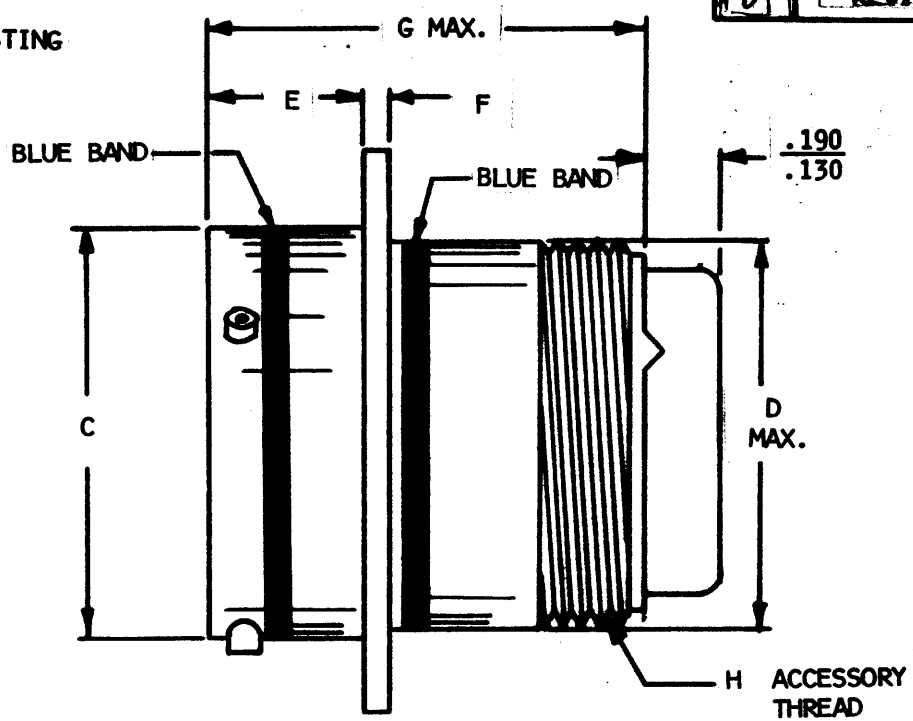
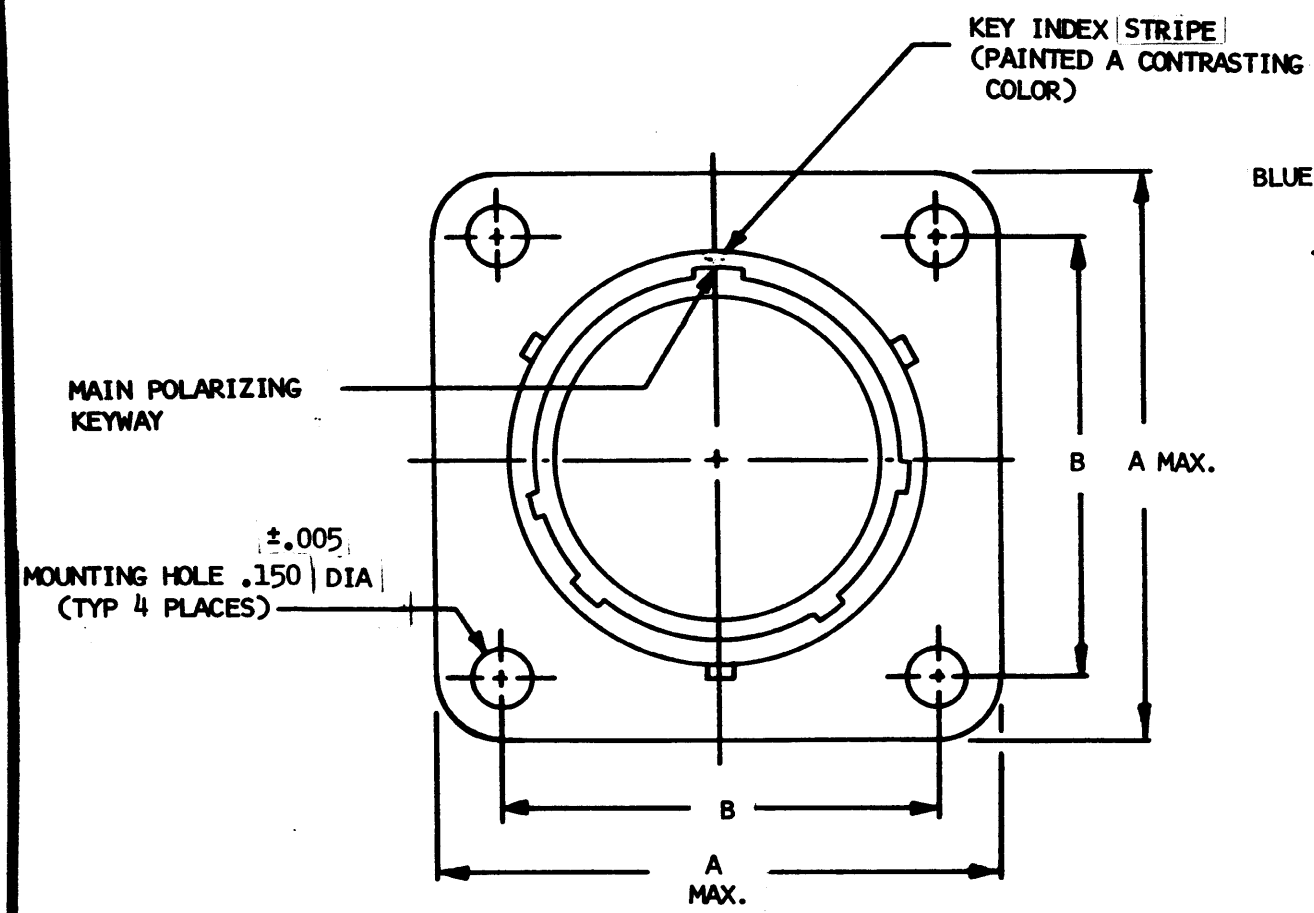


D AFD58-X*P/S*-1A		REVISIONS		
REV	DESCRIPTION	DATE	APPROVED	
1 D	REVISED PER E.O. 14087	7/25/77	M. Ketchum	



6. DIMENSIONS ARE IN INCHES UNLESS OTHERWISE SPECIFIED.
5. CONNECTORS ARE SHIPPED WITH APPLICABLE CONTACTS, SEALING PLUGS AND INSERTION/EXTRACTION TOOL(S).
4. CONNECTOR WEIGHTS SHOWN ARE LESS CONTACTS.
3. CONNECTOR ASSEMBLY MUST INCLUDE A BACKSHELL TO MEET MOISTURE REQUIREMENTS OF MIL-C-83723. FOR BACKSHELL PART NUMBERS REFER TO DEUTSCH DRAWINGS
 38007-X-3014 BACKSHELL STRAIGHT
 38008-X-3014 BACKSHELL STRAIGHT STRAIN RELIEF
 38009-X-3014 90° END BELL.
2. FOR AVAILABLE CONTACT ARRANGEMENTS AND ALTERNATE INSERT POSITIONS, SEE 38500 B SHEETS IN DBA CATALOG SECTION.
1. THIS CONNECTOR IS DESIGNED TO MEET THE REQUIREMENTS OF MIL-C-26482, CLASS "R".

NOTES:

SIZE	PART NUMBERS	A	±.005 B	+.001 C -.005	D	+.031 E -.000	F±.015	G	H THREAD	MAX. WEIGHTS IN LBS.
8	AFD58-8-P*-1A	1.064	.734	.473	.499	.462	.062	1.215	1/2-20 UNEF	PIN .0195
	AFD58-8-S*-1A									SOC .0207
10	AFD58-10-P*-1A	1.141	.812	.590	.625	.462	.062	1.215	5/8-24 UNEF	PIN .0249
	AFD58-10-S*-1A									SOC .0272
12	AFD58-12-P*-1A	1.266	.938	.750	.750	.462	.062	1.215	3/4-20 UNEF	PIN .0383
	AFD58-12-S*-1A									SOC .0417
14	AFD58-14-P*-1A	1.360	1.031	.875	.875	.462	.062	1.215	7/8-20 UNEF	PIN .0485
	AFD58-14-S*-1A									SOC .0539
16	AFD58-16-P*-1A	1.453	1.125	1.000	1.000	.462	.062	1.215	1-20 UNEF	PIN .0563
	AFD58-16-S*-1A									SOC .0652
18	AFD58-18-P*-1A	1.532	1.203	1.125	1.062	.462	.062	1.215	1 1/16-18 UNEF	PIN .0662
	AFD58-18-S*-1A									SOC .0752
20	AFD58-20-P*-1A	1.688	1.297	1.250	1.187	.556	.094	1.275	1 3/16-18 UNEF	PIN .0861
	AFD58-20-S*-1A									SOC .0978
22	AFD58-22-P*-1A	1.766	1.375	1.375	1.312	.556	.094	1.275	1 5/16-18 UNEF	PIN .1013
	AFD58-22-S*-1A									SOC .1206
24	AFD58-24-P*-1A	1.891	1.500	1.500	1.437	.589	.094	1.275	1 7/16-18 UNEF	PIN .1162
	AFD58-24-S*-1A									SOC .1331

SIGNATURE & DATE	
DR	M. HONETT 8/27/69
CHK	R. J. Smith 9-17-69
PE	Blain 9-17-69
APPD	AK
SCALE	NONE
WT	

RECEPTACLE,
 WIDE SQUARE FLANGE MTG.,
 BAYONET COUPLING CONNECTOR,
 MIL-C-26482 TYPE.

(ENVELOPE)

CP MAIL CODE

The Deutsch Company
 ELECTRONIC COMPONENTS DIVISION
 Municipal Airport
 Banning, California

B AFD58-X*P/S*-1A

DWG SIZE CODE 11139 SHEET 1 OF 1